

▶ cast film lines

SML
EXTRUSION LINES – ENGINEERED TO PERFORM ▶

▶ **BARRIER FILM**



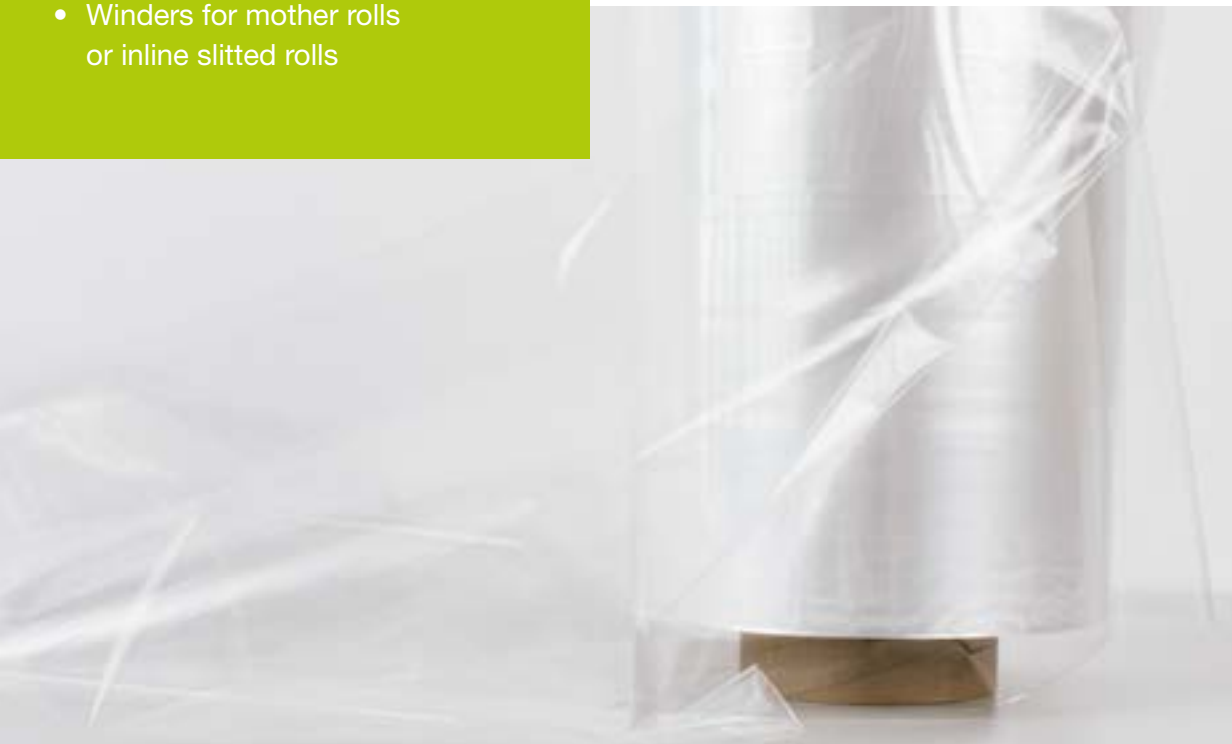
**Extrusion lines –
engineered to perform**

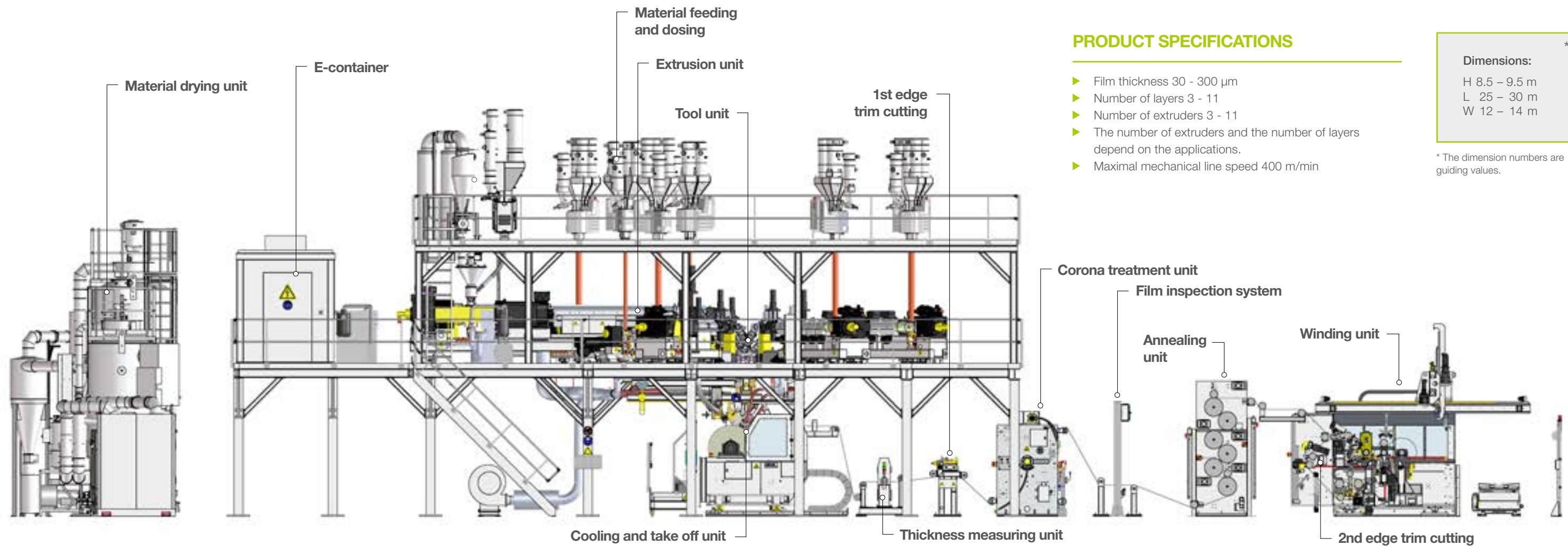
For the creation of highly complex structures

With SML's barrier film lines different combinations of layers can be selected depending on the final product. This forms an ideal barrier against oxygen, water vapor or external odors. The equipment is customisable, including the special HOLT-extruder for heat sensitive materials and winders for mother rolls or inline slit rolls.

► Key Features

- Special extruder for temperature sensitive materials
- Winders for mother rolls or inline slitted rolls





PRODUCT SPECIFICATIONS

- ▶ Film thickness 30 - 300 µm
- ▶ Number of layers 3 - 11
- ▶ Number of extruders 3 - 11
- ▶ The number of extruders and the number of layers depend on the applications.
- ▶ Maximal mechanical line speed 400 m/min

Dimensions:	
H	8.5 – 9.5 m
L	25 – 30 m
W	12 – 14 m

* The dimension numbers are guiding values.

EXTRUSION UNIT

- ▶ Gravimetric dosing system
- ▶ Extruder diameter 45 – 150 mm for PP / PE / PA / PET / Ionomer / EVA
- ▶ HO-LT extruder for temperature sensitive materials, like EVOH or adhesives
- ▶ Hydraulic filter
- ▶ Variable geometry feedback
- ▶ Automatic single manifold die with an edge encapsulation system
- ▶ Die splitting system
- ▶ Double chamber vacuum box
- ▶ Main extruder with a vertical scraptruder for the refeeding of edge encapsulation trims

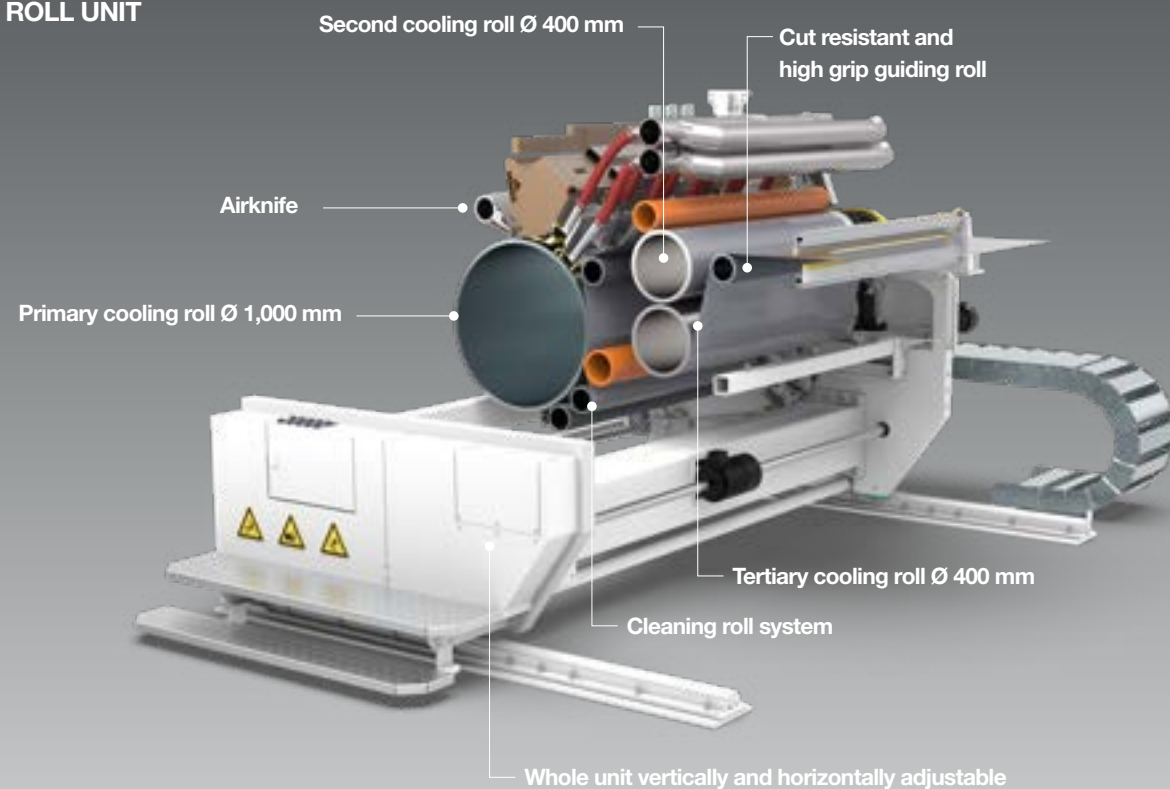
DOWNSTREAM EQUIPMENT

- ▶ Edge trim cutting before the corona treatment
- ▶ Corona treatment unit single side or single side reversable or double sided
- ▶ Post cooling roll after the corona treatment
- ▶ Annealing unit as an option
- ▶ Oscillation frame or winder oscillation depending on the winder
- ▶ Film inspection system

WINDING SYSTEM

- ▶ Turret winder for the production of mother rolls, max. roll diameter up to 1,500 mm
- ▶ Horizontal sliding winder for the production of inline slitted rolls and mother rolls on 3-inch and 6-inch winding shafts

CHILL ROLL UNIT



CHILL ROLL UNIT

- ▶ Primary cooling roll Ø 1,000 mm
- ▶ Secondary cooling roll Ø 400 mm
- ▶ Tertiary cooling roll Ø 400 mm, depending on the application
- ▶ Three roll cleaning roll system
- ▶ Airknife
- ▶ Whole unit vertically and horizontally adjustable
- ▶ Thickness measuring system Beta- or IR- or X-ray-sensor, optional IR-sensor for single layer measurement
- ▶ Cut-resistant and high grip guiding rolls



The ultimate layer combination for long-lasting shelf lives

Multi-layer barrier films are unparalleled when it comes to packaging of highly perishable fresh food products such as meat, cheese or fish.



▶ **Take advantage
of our global
leadership in
extrusion
technology.**

**ANALYSES
DEVELOPMENT
PRE-TESTED PERFORMANCE
DELIVERY ON TIME
SERVICE SUPPORT
CUSTOMER SATISFACTION**

SML
EXTRUSION LINES – ENGINEERED TO PERFORM ▶

SML - Head Office

Gewerbepark Ost 32
4846 Redlham
Austria
Phone: +43 7673 90999
E-mail: sml@sml.at
www.sml.at

SML - Machinery Far East Sdn Bhd

(1029958-P)
1201 Block B, Menara Amcorp
No.18 Jalan Persiaran Barat
46050 Petaling Jaya
Selangor Darul Ehsan,
Selangor, Malaysia
Phone: +60 3 7955 9098
E-mail: yen@sml.at

SML - Beijing Office

Unit 1410, Landmark Tower
No. 8 North Dongsanhuan Road
Chaoyang District
100004 Beijing, P.R. of China
Phone: +86 10 6590 0946
E-mail: sml@sml.bj.cn

**SML - North America
Service, Inc.**

Suite 204
85 Eastern Avenue
Gloucester MA 01930
USA
Phone: +1 978 281 0560
Mobile: +1 978 394 1553
E-mail: jom@sml.at



www.sml.at